



SONICS®

哥威雅

world-wide leader in *ultrasonic technology*

Sonics & Materials, Inc.



Model 2050
Welding Press

20 kHz Model 2050

new
**3500
watts**

Ultrasonic Plastics Welding System

more Power Features



GX-Series Power Supply

new Power	Now available in: ■ 3500 watts
new Features	<ul style="list-style-type: none"> • Automatic Frequency Tuning • Digital Amplitude Control • Ultrasonic Horn/Stack Frequency Display • Good Part/Bad Part Output Signal • Digital Soft Start Amplitude Ramp Control • Line Voltage Phase Angle Regulation
new Models	<p>Weld by: digital time - Model GXT digital time and/or constant energy - Model GXE digital time, constant energy and/or distance - Model GXL*</p> <p><i>*Requires optional linear encoder</i></p>

STANDARD FEATURES INCLUDE:

- Multiple Job Storage
- Digital Force Triggering
- Calibration Pulse Prior to Every Weld Cycle
- Back-Lit LCD Display
- Ultrasonics Load Meter Scale
- Upper and Lower Weld Limit Settings
- RS232 Serial Port Printer Output
- Optional PLC I/O (Input/Output) Ports
- Soft Start Overload Protection Circuitry
- Load Regulation Circuitry
- Distance Mode Settings in English or Metric Units (with optional linear encoder only)

Leaders in the field of ultrasonic plastics welding equipment and technology since 1969, Sonics & Materials offers its new line of **GX-Series** ultrasonic power supplies, combined with 20 kHz welders, for welding medium to large-sized parts at higher amplitudes.

The new GX-Series, available in 3500 watts, provides microprocessor control and consistent reliability for every application. Power supplies feature smart-logic, user-friendly keypad navigation and line voltage phase angle regulation which allows for single phase power requirement and promotes conservation of on-demand electrical energy.

Power Supply

Dimensions: 17.75" W x 11.00" H x 22.50" D
(450.8 x 279.4 x 571.5 mm)

Weight: 70 lbs. (31.8 kg)

哥威雅 (香港) 有限公司
 Qoovia Corporation
 (Hong Kong)Limited

Hong Kong Office
 15B Granville House,
 41C Granville Road, T.S.T.,
 Kowloon, Hong Kong
 Tel:+86(00852)61717217
 & 81463719
 Fax:+86(00852)81479859

Dongguan Office
 6 Hang, No 17,
 Heng Xin Road
 Heng Gang Tou,
 Xin An Qu Chang An,
 Dongguan Guangdong,
 China 523882
 Tel:+86(0769)8532-0321
 Fax:+86(0769)8532-0145



For more information: info@qoovia-hk.com www.qoovia-hk.com

Model 2050 Features

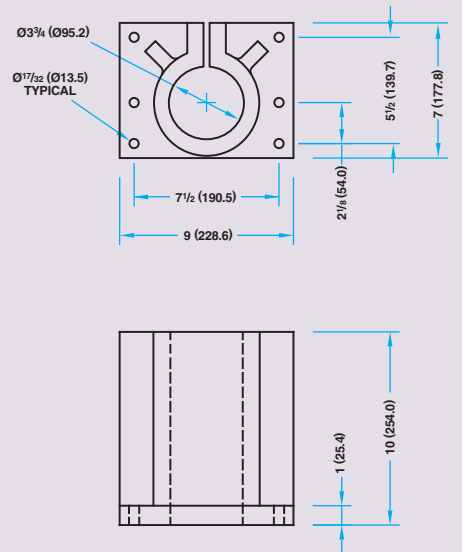
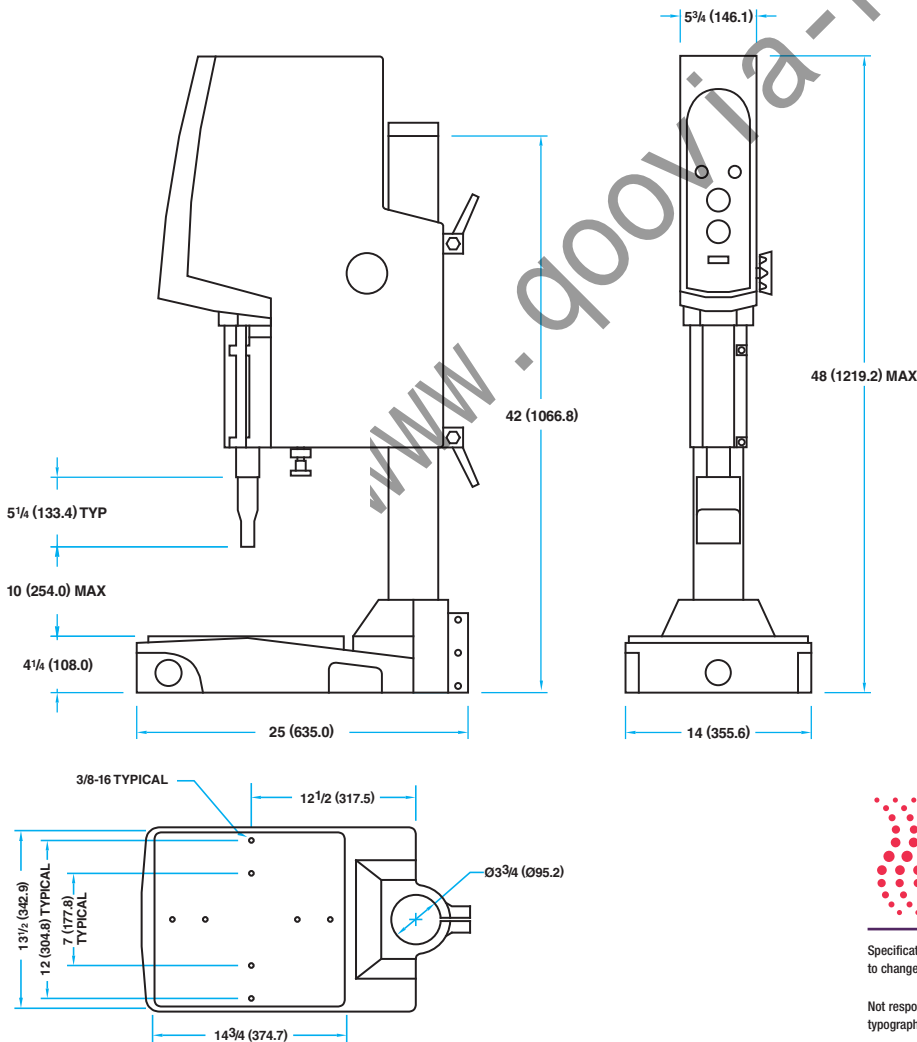
- Single Piece Rigid Cast Aluminum Machine Base and Column Hub
- Increased Steel Column Diameter and Wall Thickness
- Single Rail Linear Slide
- Direct In-Line Air Cylinder
- Extended Center Base to Column Throat Depth Distance
- Additional 12" Center-to-Center Lower Fixture Mount Holes
- Front Panel Pneumatic Speed and Pressure Controls
- Linear Encoder for Distance Welding (optional)

Specifications, Additional Features, and Options

Dual Cycle Start Buttons	Standard
Non-Contact Cycle Start Buttons	Optional
Front Emergency Stop	Standard
Head Adjust Counter Balance Spring	Standard
Adjustable Positive Stop	Standard
Automation Limit Switches	Optional
360° Snap-In Stack Assembly	Standard
Rigid Mount Booster	Optional
Stand Alone Column Hub	Optional
Extended Length Column	Optional
3.75" (95.3) Column Diameter	Standard
4" (101.6) Stroke Air Cylinder	Standard
6" (152.4) Stroke Air Cylinder	Optional
Air Cylinder Bore Diameter	2.5" (63.5)
Clamping Force at 90 PSIG	441 lbs. (1961n)
Input Voltage	220 VAC
Weight	180.5 lbs. / 81.9 kg

Dimensional Data All Dimensions: Inches (mm)

Optional Stand-Alone Hub



SONICS®

© 2008 Sonics & Materials, Inc.

Specifications subject to change without notice.

Not responsible for typographical errors.

Printed in U.S.A.
1C/03/08

Registered by UL to ISO 9001



Sonics & Materials, Inc.